



D 120 AHA



www.ausa.com

AUSA Center, S.L. ● Ctra. de Vic, Km 2.8 - P.O.B. 194. 08243 Manresa - BARCELONA (ESPAÑA) Tel.: +34 93 874 73 11 - E-mail: ausa@ausa.com



ISO 9001 ISO 14001



AUSA Madrid ● Pol. Ind. Coslada - C. Marconi 15-17. 28823 Coslada - MADRID (ESPAÑA) Tel.: +34 91 669 00 06 - E-mail: ausa.madrid@ausa.com

AUSA France ● Z. I. Saint Charles - Rue de Zürich, 66000 PERPIGNAN (FRANCE) Tel.: +33 (0) 4 68 54 38 97 - E-mail: ausa.france@ausa.com

AUSA Deutschland ● Heinrich - Welken Str. 5. 59069 HAMM (GERMANY) Tel.: +49 (0) 2384-9889905 - E-mail: ausa.deutschland@ausa.com

BEIJING Rep. Office ● Address Room 527. HengXiang Building, Tuanjieshu Nanli, Chaoyang District. - BEIJING 100026 (CHINA)

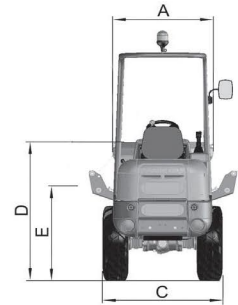
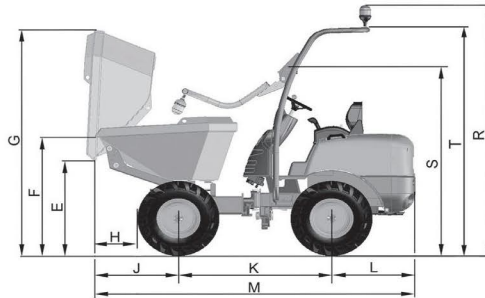
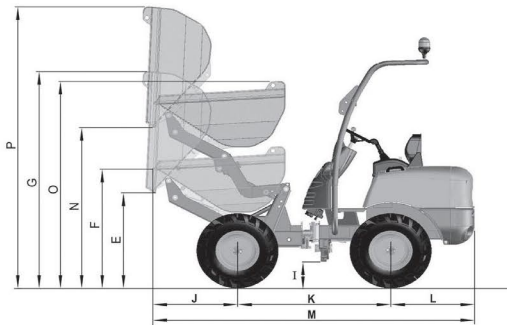
Tel.: 86-10-8597 1983 - Fax: 86-10-8597 1993 - E-mail: ausa.china@ausa.com

AUSA UK ● Tel.: 07970639988 - E-mail: ausa.uk@ausa.com

(Sede central AUSA-Manresa)

D 120 AHA_1200 Kg

DIMENSIONS (mm)	D 120 AHA
A	1190
B	-
C	1200
D	1485
E	980
F	1275
G	2280
H	440
I	265
J	822
K	1500
L	820
M	3142
N	1680
O	2180
P	2980
R	2650
S	2000
T	2420



TECHNICAL SPECIFICATIONS

		D 120 AHA
Load capacity (Kg)		1000 / 1200
Unloading system		Hydraulic tipping
Chassis		Articulated +/- 35° and oscillating +/- 13°
Hopper capacities (l)	Water	345 / 425
	Levelled	395 / 515
	Heaped	505 / 680
Engine		Kubota D1105
	Power acc./SAE J 1995 (KW/CV)	16,8 KW / 22,8 CV (2700 rpm)
	N° of Cylinders	3
	Cooling system	Water
Traction		4 x 4 permanent
Transmission		Hydrostatic with variable flow pump automatic regulation. Forward and reverse control on the joystick.
Engine starting system		Electric
Speed (max.) (Km/h)		15 / 17
Axles		Axles with planetary wheel reduction
Unladen weight (Kg)		1300 / 1375
Gradeability		38% / 48%
Hydraulic circuit		Gear pump of 8 cc. Pression de travail 170 bar. / 210 bar.
Tyres	Standard	27x8.50-15" / 10.0/75-15.3"
	Optional	11.0 / 65 - 12; 7.00-12; 6.5/80 (D 100 AHA)
External turning radius (mm)		3060
Steering		Hydraulic
Tank capacity (l)	Fuel	23
	Hydraulic fluid	21.2
Service and parking brake		Sealed oil-immersed, multidisc, mechanically operated

STANDARD EQUIPMENT

	Anti vandal system
	Ergonomic with safety belt
	Joystick
	ROPS
	Rotating beacon
	Rear view mirror
	Audible reverse warning (Std. UK)
OPTIONAL EQUIPMENT	Great confort seat
	FOPS overhead guard
	Homologated lighting equipment
	Metal engine canopy
	Towing hitch